

GEO PORTABLE LIFTING PLATFORM

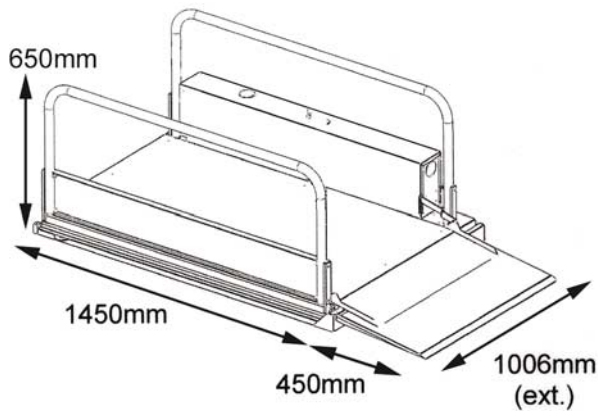
The ideal solution where temporary wheelchair access is required to stages or mezzanine levels in schools, theatres, village halls etc



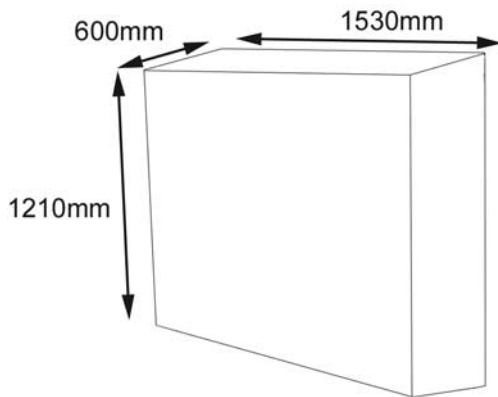
Lift in storage mode



Lift being moved into location



Folded Dimensions



Easy to Set Up - self contained unit can be quickly moved into position. Simply plugs into existing power point, or, for short periods of use, built in batteries provide up to 30 cycles between charges.

Easy to Use - convenient controls (remote option available) and shallow approach ramp to portable base frame.

Large castors allow easy transportation from store room to point of use

Typical Application Ideal for stage / platform access. Wheelchair users only.

Maximum Travel 1000mm

Unladen Weight 140Kg

Internal Platform Size 1450mm x 800mm

Closed Height 100mm

Rated Speed 0.06 mtrs / sec

Safe Working Load 250Kg

Lifting Mechanism Electro Hydraulic

Electrical Supply 240v, 13A Charger plugs into socket

Design Standard CE Marked

Easy to Store - folds up for transportation to storage area. Plug-in charger keeps batteries topped-up for immediate re-use

Low maintenance - annual servicing recommended. Maintenance contract available

Safe - arrestor bar on platform. Scissor mechanism fully enclosed by bellows. Low voltage operating system. Optional protective cover available.